

Data Sheet | Parking Station | HG-Series | 35 MPa NF / HF | 70 MPa NF

The WALTHER high pressure refueling system of the HG series is developed for safe and fast refueling with gaseous hydrogen. The usual application is the refueling of hydrogen driven vehicles up to an operating pressure of 87.5 MPa / 12,688 psi. The refueling nozzles are tested and validated

according to SAE J2600 and ISO 17268, the worldwide standards for refueling interfaces. Since 2006 WALTHER-PRÄZISION has significantly contributed to set the standards for high-pressure hydrogen technology, offering today validated systems for the mobility of the future.



Characteristics:

- Integrated connection for purging system with dry air
- High operating comfort and safe locking system
- Robust mechanical actuation to detect the correct parking of the refueling nozzle
- Reliable protection of the refueling nozzle with front side sealing
- Multiple mounting angles possible

Benefits:

- Natural freezing of the refueling nozzle prevented
- Incorrect usage excluded, damages avoided
- Simple installation of proximity switch by customer
- Low service costs, penetration of air, water or other pollution prevented
- Adaptable design of the dispenser

Complementary equipment:

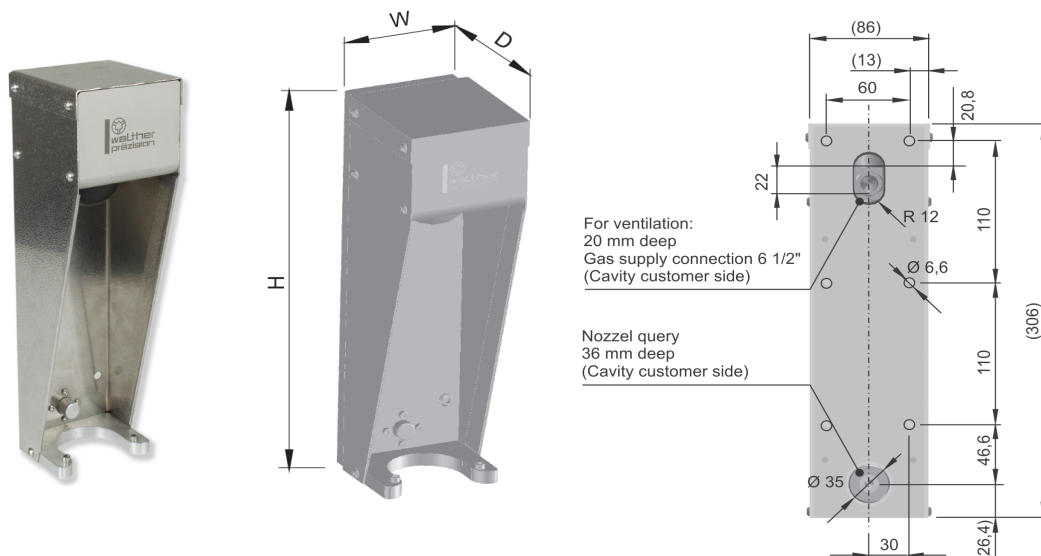
- Refueling nozzle
- Hose set
- Breakaway coupling
- Service tools



Technical Data | Parking Station | HG-Series | 35 MPa NF / HF | 70 MPa NF

Properties	Detail	Information	Special
Technical features	Ventilation	Nitrogen or dry air	
	Ventilation connection	BSPP G 1/4", female thread	
Material	Body	Plate housing stainless steel, POM-C black	Aluminum - full body (Other colours possible)
	Sealings	FKM	
Assembly	Positions	Various angles possible	
	Mounting plate	Included to facilitate easy assembly	
	Nozzle detection	Actuator not included in the scope of delivery	

Overview



Variants available | Parking Station | HG-Series | 35 MPa NF / HF | 70 MPa NF

Product type	A (not shown)	W [mm]	H [mm]	D [mm]	ID	Part number
Parking station 35 MPa - NF	BSPP G 1/4" for gas supply	92	306	109	227963	HG-004-B-00006-AAAV-Y14
Parking station 35 MPa - HF	BSPP G 1/4" for gas supply	92	306	109	227963	HG-004-B-00006-AAAV-Y14
Parking station 70 MPa - NF	BSPP G 1/4" for gas supply	92	306	109	227963	HG-004-B-00006-AAAV-Y14

* NF = Normal flow / HF = High flow



WALTHER-PRÄZISION

Schnellkupplungssysteme / Quick Coupling Systems

Carl Kurt Walther GmbH & Co. KG

Hausadresse / Head office: Postadresse / Postal address:

Westfalenstrasse 2

42781 Haan, Germany

T +49 (0) 2129 / 567-0

F +49 (0) 2129 / 567-450

PF / P.O. Box 420444

42404 Haan, Germany

W www.walther-praezision.de

E info@walther-praezision.de



Choose the Original
Choose Success!



WalCoDo[®]
WALTHER CONNECTING & DOCKING