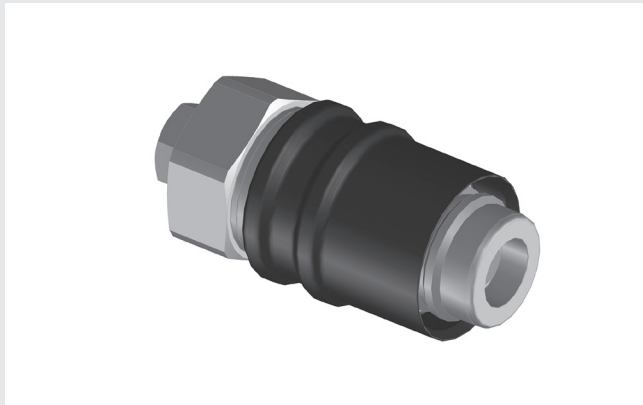




Data Sheet | Venting Tool | HG-Series | 35 MPa NF / HF | 70 MPa NF

The WALTHER high pressure refueling system of the HG series is developed for safe and fast refueling with gaseous hydrogen. The usual application is the refueling of hydrogen driven vehicles up to an operating pressure of 87.5 MPa / 12,688 psi. The refueling nozzles are tested and validated

according to SAE J2600 and ISO 17268, the worldwide standards for refueling interfaces. Since 2006 WALTHER-PRÄZISION has significantly contributed to set the standards for high-pressure hydrogen technology, offering today validated systems for the mobility of the future.

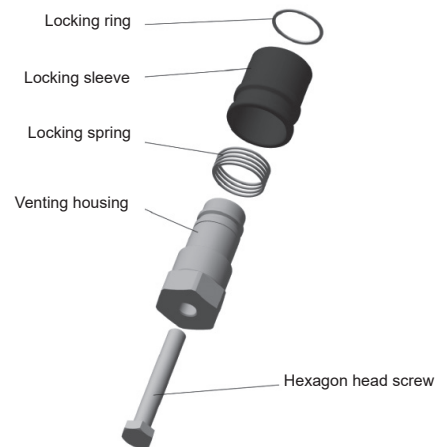
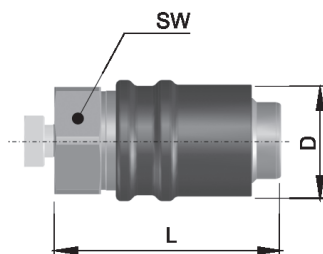


Description:

- Safe ventilation of breakaway coupling (car / nozzle side) after an emergency separation
- Easy to operate
- Suitable for 35 MPa NF / HF* breakaways couplings
- Suitable for 70 MPa NF* breakaways couplings

Material: Stainless steel, bronze

Overview



NB	Product type	L [mm]	D [mm]	SW [mm]	ID	Part number
8	Venting tool	97,5	52	46	227964	HG-008-9-00002-AAAZ-Y216

* NF = Normal flow / HF = High flow



WALTHER-PRÄZISION

Schnellkupplungssysteme / Quick Coupling Systems

Carl Kurt Walther GmbH & Co. KG

Hausadresse / Head office:

Westfalenstrasse 2
42781 Haan, Germany

T +49 (0) 2129 / 567-0
F +49 (0) 2129 / 567-450

Postadresse / Postal address:

PF / P.O. Box 420444
42404 Haan, Germany

W www.walther-praezision.de
E info@walther-praezision.de



Choose the Original
Choose Success!



WalCoDo®
WALTHER CONNECTING & DOCKING