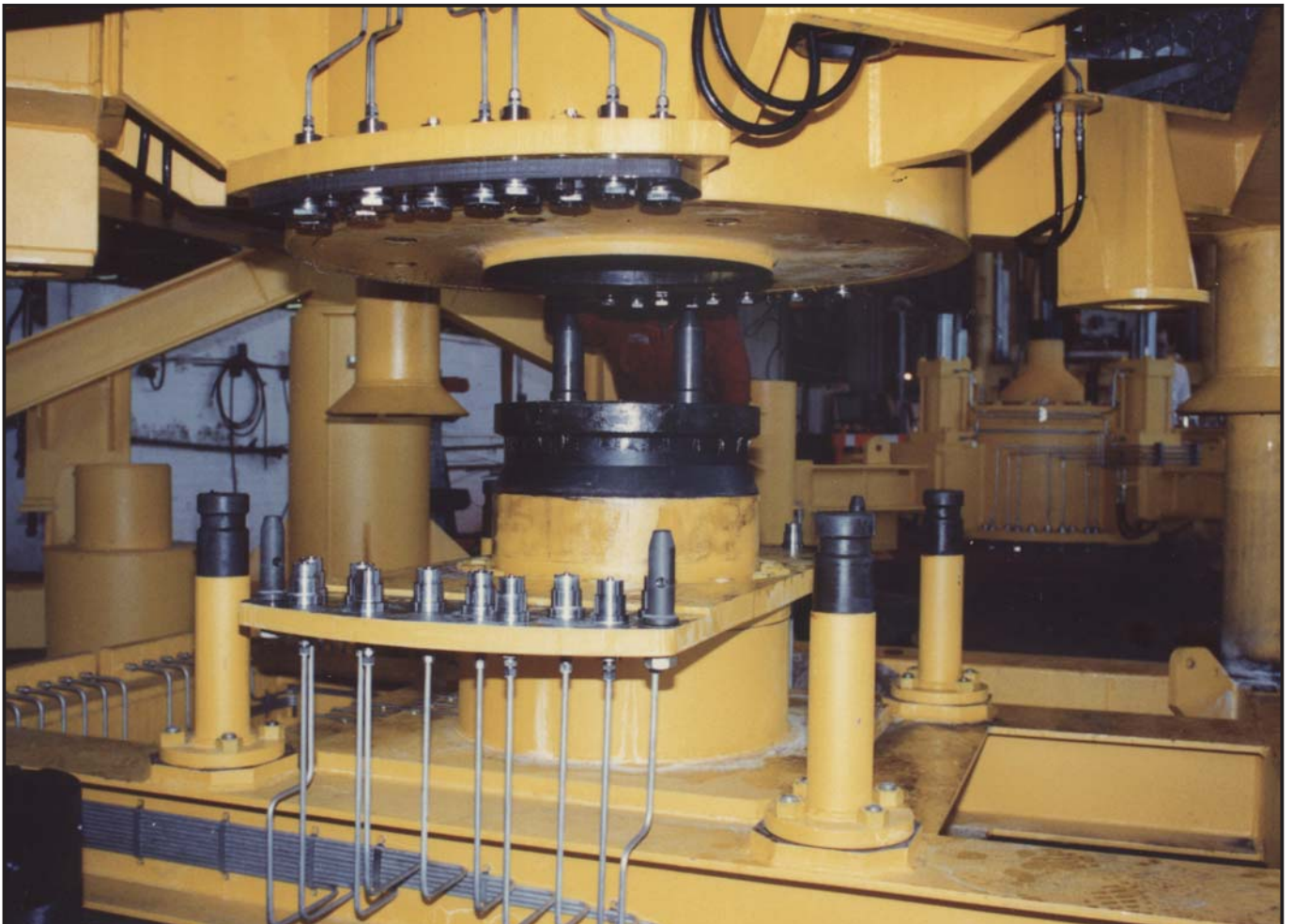


**Balanced
Pressure Elements**

Series 63



Balanced Pressure Element

Features:

- Low separation force even at full working pressure
- Connect and disconnect under full working pressure
- Easy mounting without calibration
- Pressure venting male half (optional)
- Provision for sealed plate mounting on one side.

Application:

Tree hubs, control modules, ROV Stabplates

Specification:

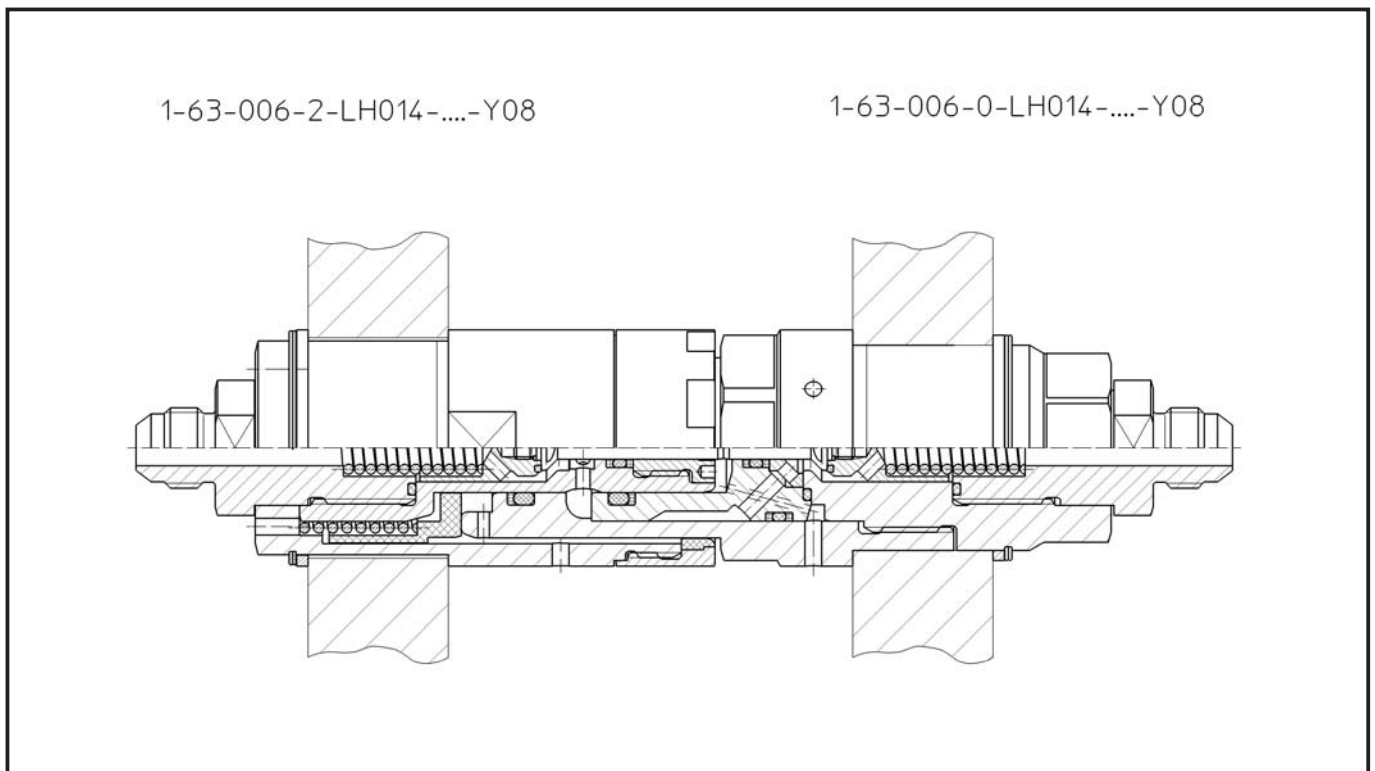
Working Pressure: 690 bar / 10.000 PSI

Sizes: 3/8", 1/2", 3/4", 1"

Separation Force: 1" element at 10.000 PSI = 6500 N (1430 lbs)

Misalignment tol.: +/- 0,5 mm

Seals: Peek / FPM



WALTHER-PRÄZISION

Carl Kurt Walther GmbH & Co. KG

Hausadresse / Head office:

Westfalenstraße 2
42781 Haan, Germany

Telefon: +49 (0) 21 29 567-0
Telefax: +49 (0) 21 29 567-450

Postadresse / Postal address:

Postfach 420444
42404 Haan, Germany

eMail: info@walther-praezision.de
Internet: www.walther-praezision.de

