

## High temperature couplings

**11-012**

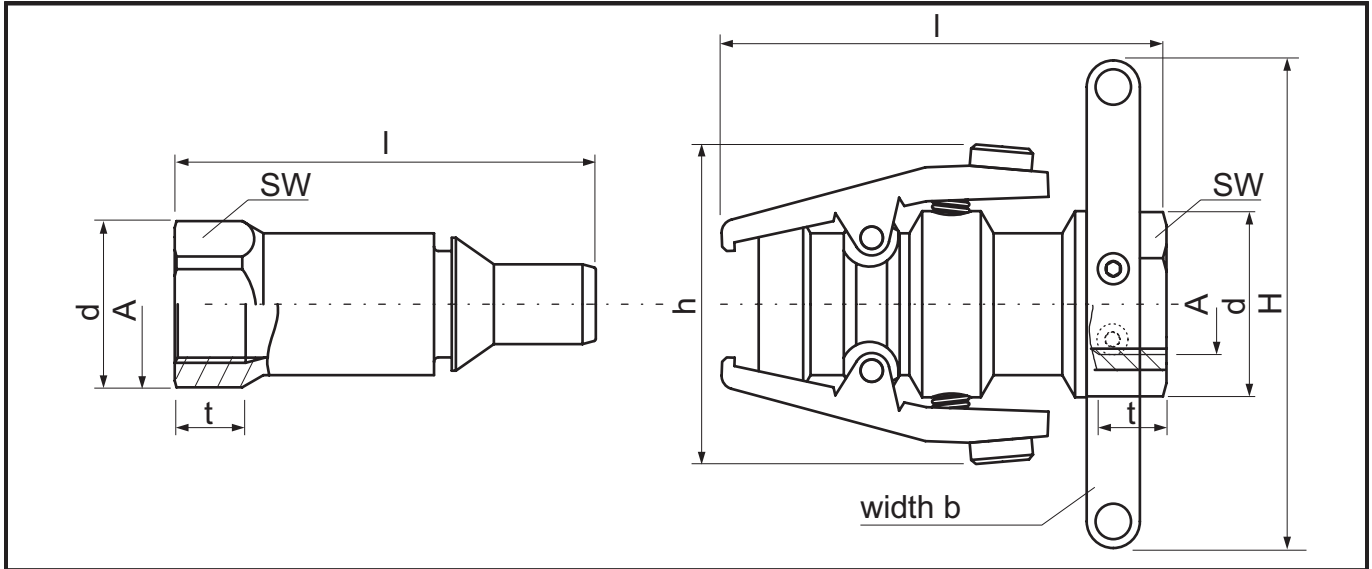
**11-019**



# WALTHER-high-temperature-couplings for thermal oil up to 310°C (590°F)

## Description:

- squirt-free high temperature coupling with automatic lock through double pawl lock
- suitable for heat conduction equipment
- the hand grips and the unlocking clamps are PTFE-protected



WALTHER-PRÄZISION • WKa rev. 10/2006 • subject to alterations

| DN 12                               | part number            | * connection A                     | d    | SW | l     | t  | h  | b    | H   | Maximum working pressure in PSI |           |
|-------------------------------------|------------------------|------------------------------------|------|----|-------|----|----|------|-----|---------------------------------|-----------|
|                                     |                        |                                    |      |    |       |    |    |      |     | coupled                         | uncoupled |
| Self sealing coupling with handgrip | 11-012-0-WR526-AAAG-HG | 3/4 BSPP female to DIN 3852 form x | 42   | 36 | 100,4 | 16 | 72 | 54   | 110 | 653 psi / 45 bar                |           |
| Self sealing coupling with handgrip | 11-012-0-WR526-AAAH-HG |                                    | 42   | 36 | 100,4 | 16 | 72 | 54   | 110 |                                 |           |
| Self sealing coupling               | 11-012-0-WR526-AAAG    |                                    | 42   | 36 | 100,4 | 16 | 72 | -    | -   |                                 |           |
| Self sealing coupling               | 11-012-0-WR526-AAAH    |                                    | 42   | 36 | 100,4 | 16 | 72 | -    | -   |                                 |           |
| Self sealing adaptor                | 11-012-2-WR526-AAAA    |                                    | 37,5 | 34 | 95    | 16 | -  | -    | -   |                                 |           |
| <b>DN 19</b>                        |                        |                                    |      |    |       |    |    |      |     |                                 |           |
| Self sealing coupling with handgrip | 11-019-0-WR533-AAAI-HG | 1 BSPP female to DIN 3852 form x   | 46   | 41 | 112,4 | 18 | 86 | 61,4 | 110 | 363 psi / 25 bar                |           |
| Self sealing coupling with handgrip | 11-019-0-WR533-AAAH-HG |                                    | 46   | 41 | 112,4 | 18 | 86 | 61,4 | 110 |                                 |           |
| Self sealing coupling               | 11-019-0-WR533-AAAI    |                                    | 46   | 41 | 112,4 | 18 | 86 | -    | -   |                                 |           |
| Self sealing coupling               | 11-019-0-WR533-AAAH    |                                    | 46   | 41 | 112,4 | 18 | 86 | -    | -   |                                 |           |
| Self sealing adaptor                | 11-019-2-WR533-AAAA    |                                    | 46   | 41 | 97,5  | 18 | -  | -    | -   |                                 |           |

Materials: Steel oil burnishead  
 Seals: HT-GRA-Seal combination  
 Operation temperature: max. 310° C = material version AAAA, AAAG and AAAI max. 270° C = material version AAAH  
 Flow rate Cv: DN 12 = 3,23; DN 19 = 6,29

\*Connection A is suitable for screwed plug form A, B, E, in accordance with DIN 3852-T2 (Either Sealing through metal-seal rings DIN 7603 or without sealing edge)

## WALTHER-PRÄZISION Carl Kurt Walther GmbH & Co. KG

Head office:  
 Westfalenstraße 2  
 42781 Haan, Germany  
 Telefon: +49 (0) 21 29 567-0  
 Telefax: +49 (0) 21 29 567-450

Postal address:  
 Postfach 420444  
 42404 Haan, Germany  
 eMail: info@walther-praezision.de  
 Internet: www.walther-praezision.de

