

## Operating instruction english

Revision	B
Date	09.06.2011
Issuer	PPI / NH

This operating instruction is not subject to the updating

## Self sealing coupling

1-07-003-0-.....-..-

1-07-003-2-.....-..-

Vor Beginn aller Arbeiten  
Betriebsanleitung lesen!

*Read operating instruction  
before beginning of all works!*

Betriebsanleitung immer  
AUFBEWAHREN!  
griffbereit am Gerät

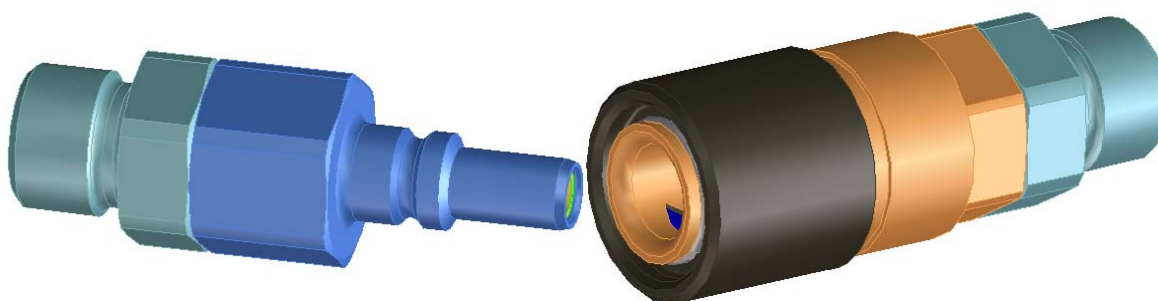
*Always KEEP operating  
instruction! In a ready hand  
way at the device*

**Achtung:** Vor Inbetriebnahme  
Gerät auf mängelfreien Zustand  
und technisch einwandfreie  
Funktion kontrollieren.

*Caution: Before starting-up  
check device on faultless  
condition and technically  
perfect function.*

Das Original ist die  
deutsche Fassung

*The German version  
is the original*



This coupling is a quality product, in which special attention has been paid to high functionality, ease of operation, safety and reliability. As an item of technical equipment this coupling is intended for use in the commercial, industrial area and for operators, who have been trained by specialists in the handling of technical systems / tools.

**Customer care:**

As part of our individual customer care we will be happy to assist you in questions relating to use and operation and on any problems encountered.

**Service and maintenance:**

In order to maintain the high technical performance capability and reliability of your coupling over many years, we recommend regular inspection and maintenance.

We can thereby offer you optimum support by our Customer Service department and the conclusion of a service and maintenance contract. Please ask for a quotation.

Carl Kurt Walther GmbH & Co. KG  
PO Box 42 04 44  
42781 Haan  
Westfalenstraße 2

Tel.: +49 (0) 2129 567-0

Fax: +49 (0) 2129 567 450

E-Mail: [info@walther-precision.de](mailto:info@walther-precision.de)

Internet: [www.walther-precision.de](http://www.walther-precision.de)

**Contact:**

Application technology and service

Holger R. Figge

Telephone: (02129) 567-591

Telefax: (02129) 567-590

Handy: (0162) 2090100

e-mail: [hfigge@walther-precision.de](mailto:hfigge@walther-precision.de)

Further addresses and telephone numbers of contacts can be found on the Internet on our homepage under [www.walther-precision.de](http://www.walther-precision.de) "Service / Customer service".

## List of Contents

---

<b>1</b>	<b><u>List of Contents</u></b>	
<b>1</b>	<b>LIST OF CONTENTS .....</b>	<b>3</b>
<b>2</b>	<b>GENERAL .....</b>	<b>4</b>
<b>3</b>	<b>WARRANTY .....</b>	<b>5</b>
<b>4</b>	<b>SAFETY INSTRUCTIONS.....</b>	<b>6</b>
<b>5</b>	<b>PRODUCT DESCRIPTION OF THE SELF SEALING COUPLING .....</b>	<b>7</b>
5.1	INTENDED USE .....	7
5.2	TECHNICAL DATA .....	7
<b>6</b>	<b>INSTALLATION INSTRUCTION .....</b>	<b>8</b>
6.1	GENERAL.....	8
<b>7</b>	<b>OPERATING INSTRUCTION.....</b>	<b>9</b>
7.1	CONNECTION PROCESS .....	9
7.2	DISCONNECTION PROCESS .....	9
<b>8</b>	<b>MAINTENANCE INSTRUCTION .....</b>	<b>10</b>
8.1	MAINTENANCE AND FUNCTIONAL TEST .....	10
8.1.1	<i>Maintenance includes following items: .....</i>	<i>10</i>
8.1.2	<i>Functional test includes following items:.....</i>	<i>10</i>
<b>9</b>	<b>TEST .....</b>	<b>11</b>
<b>10</b>	<b>LUBRICATION !.....</b>	<b>12</b>
<b>11</b>	<b>STORAGE.....</b>	<b>13</b>
<b>12</b>	<b>SHUT-DOWN .....</b>	<b>14</b>
<b>13</b>	<b>ORDER NUMBER CODE.....</b>	<b>15</b>
<b>14</b>	<b>INDEX .....</b>	<b>16</b>

## 2 General


This manual contains all regulations for operation, commissioning and maintenance of the self sealing coupling elements.

All information and notes in this operating manual were collated while taking into consideration the valid regulations, the current engineering related status of development as well as our many years of experience and acquired knowledge.

Translations of this operating manual were also produced according to the best of knowledge. However, we cannot assume liability for any translation errors. The German version provided for this operating manual is considered the authoritative version.

The actual scope of delivery can deviate from the explanations and graphic representations described herein under certain circumstances, e.g. in the case of special designs, utilization of additional order options or because of state-of-the-art technical alterations.

If you have any questions, please contact the manufacturer.

-  This operating manual must be read carefully before starting work on or with the equipment, in particular before commissioning!  
The manufacturer assumes no liability for damage or faults arising from non-compliance with the instructions in this operating manual.

The operating manual must be kept directly with the equipment and be accessible to all persons who work on or with the equipment.

It is not permitted for the operating manual to be passed to third parties and if applicable this will incur damage compensation.

All other rights reserved.

Before commissioning the device must be checked for being not defective and its technically perfect function.

The German version is the original.

We reserve the right to make technical alterations to the product within the context of improving the usage properties and further development.

The operating manual remains our property.

Any reproduction, use by or communication to third parties incurs a penalty and will be pursued by court action (copyright law against unfair competition, BGB [German Civil Code]).

All rights reserved in the case of a patent award (Paragraph 7, Section. 1 of the patent law - PG) or entry as a patented design (Paragraph 5, Section 4 of the patented design law - GMG).

### **3 Warranty**

The warranty conforms to:

the regulations agreed in the purchase contract and  
the “General Conditions for Delivery and Capacity” of C.K. Walther GmbH & Co. KG  
of the state which was valid at the date of the purchase contract.

Wearing parts are generally excluded from the warranty.  
Typical wearing parts of products from company C.K. Walther GmbH & Co. KG  
are for example:

- seals
- springs

## Safety instructions

---

### 4 Safety instructions

Using these couplings does not release the customer from his obligation to comply with the pertinent work safety regulations e.g. operational safety ordinances, etc. The duty to take due care by the operator of the couplings includes planning measures to ensure proper operation and monitoring their implementation.

#### Hazard notes

If the wrong product has been selected or if there is improper use or maintenance has been omitted, then hazards arise and personal injuries and material damage can occur from:

- Hazardous emission of fluid or individual particles/coupling parts
- Function impairments of connected systems or tools
- The metal parts of coupling and adaptor are not thermally protected. You can be burned if you touch these parts at high media temperatures. According to the ambient temperature valve lever and ring grip can also become unbearably hot. For that reason suitable, sufficiently long protective gloves should be worn.

#### The operator must in particular make sure that

- The couplings are only used according to the intended purpose.
- The couplings are only operated in a perfect, functioning condition.
- The operating manual is always in a legible condition and is available in its entirety to operating personnel.
- The operating personnel are sufficiently acquainted with the working method and the safety notes for the coupling.
- The coupling is sent to our factory for repair work.
- During operation of the coupling, no safety devices are removed and/or deactivated.
- Before installing or dismantling the coupling, you have made sure that the coupling has not been pressurized.

#### After completing assembly and installation work and before commissioning the coupling, observe the following points:

Check once again that all screw connections are securely fitted.

Before commissioning the coupling, a function test must be carried out (see maintenance and function test).

## Product description of the self sealing coupling

### 5 Product description of the self sealing coupling

Coupling connection consists of:

- self sealing coupling 1-07-003-0-.....-.-.
- self sealing adaptor 1-07-003-2-.....-.-.

In case that both coupling halves are not connected they should be protected against external dirt and/or damages if required.

For that purpose dust cap and dust plug are available.

Possible combinations :

- |                       |                 |
|-----------------------|-----------------|
| self sealing coupling | 1-07-003-0 with |
| dust plug             | 1-07-003-6      |
| self sealing adaptor  | 1-07-003-2 with |
| dust cap              | 1-07-003-5      |

#### 5.1 Intended use

- The coupling shall only be used to connect two lines.
- The coupling- and decoupling process is manually operated.
- The coupling is equipped with an automatic lock, i. e.:

##### **one-hand operation**

- The coupling is particularly suitable for the following use of media / applications:
  - air
  - water
  - hydraulic oil
  - and their subspecies  
(such as oxygen or oil with additives)
- For all other possible applications please contact WALTHER-Präzision.

#### 5.2 Technical data

- Working pressures of coupling depend on materials of individual parts.
- When determining the working with standardized threaded connections, the highest permissible working pressure of the connection must be taken into account.
- When selecting a suitable connection the following static pressure is possible:

**operating pressure maximum:** 200 bar (Messing, stainless steel)

**Cv-value:** 0.14

- The coupling is not determined for any types of use and technical values other than those listed here.
- Safe operation is not guaranteed if the coupling is used contrary to its intended use and technical values
- The operator of the coupling is responsible for all personal injuries or material damage that occur from non-intended use and disregard of the technical values; the manufacturer assumes no responsibility in these cases.

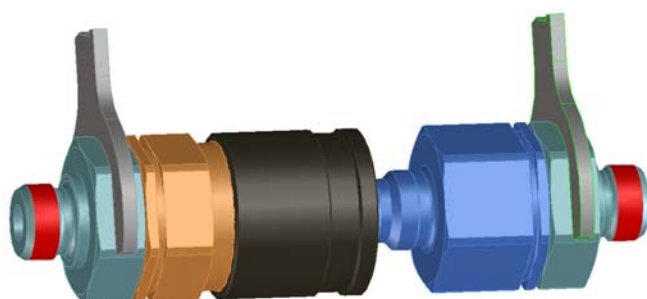
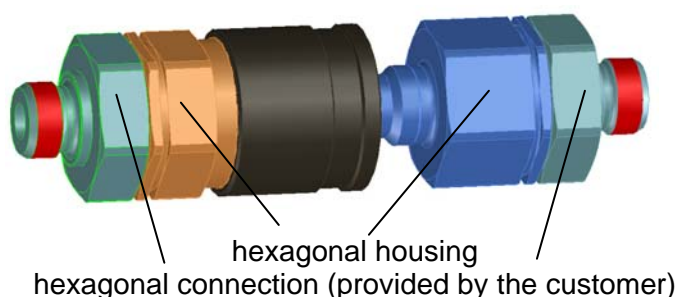
## Installation instruction

### 6 Installation Instruction

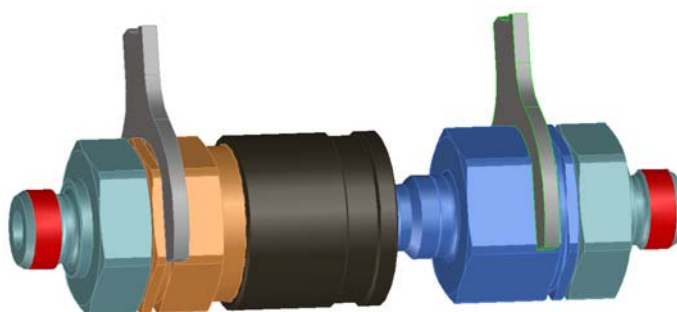
#### 6.1 General

Install the self sealing coupling into the network in due consideration of the general accident prevention regulations, so that:

- an error-free operation according to the operating instructions is guaranteed. Please make sure that you use only the hexagon on the connection which is provided by the customer to tighten or release the coupling / adaptor when assembling or dismantling it (see picture).



wrong



- the screw connection on the connection side (provided by the customer) is made according to the relevant technical regulations.
- the self sealing coupling is predominantly used on the network side and the self sealing coupling is mainly used on the consumer side.
- exterior damage to the unit and to all movable parts is ruled out.

Before installing the through type coupling and the adaptor to the piping system, make sure that the piping system has been sufficiently flushed/blown or cleaned.



**After completing the installation work, perform a function test both depressurised and under working pressure, as described in the operating instructions.**

## Operating instruction

---

### 7 Operating Instruction

In order to avoid critical injuries of the staff and damage at the self sealing coupling during operation, coupling may be only used for the stated applications.

#### 7.1 Connection process

Before each coupling process a visible check of the coupling and the adaptor has to be made. Damaged parts must be changed in case of observable, visible damages or deformations.

The self-sealing coupling is equipped with an automatic lock, i. e. one-hand operation. For coupling the self-sealing coupling behind the locking sleeve or the self-sealing adaptor in the end plug area is taken up with one hand and pushed axially centred on the counter piece until the end stop.

During the coupling the locking sleeve snaps in forward without the aid of the operator.

Now the self-sealing coupling and the self-sealing adaptor are locked mechanically. Available valves are opened during the coupling process and thus the passage is released.

#### **CAUTION**



Please take care that locking sleeve is in final position, i.e. that it is flush in front with the coupling housing as otherwise no perfect lock is guaranteed.

#### 7.2 Disconnection process

For decoupling the self-sealing coupling behind the locking sleeve is taken up with one hand, with the other hand the locking sleeve is pulled back and the connection is separated.

During the decoupling the available valves close automatically so that no further discharge of media is possible.

#### **Caution!**

In case of an available pressure in the line connected by the coupling system a strong separation impulse - depending on the pressure - can be effective onto the coupling system during disconnection. For that reason the movable part of the coupling (free half) is to be firmly held in the hand to avoid injuries.

## Maintenance and Functional instruction

---

### **8 Maintenance Instruction**

#### Preventive maintenance measures

WALTHER self sealing couplings are to be operated in such a manner that external damages to elements and all moving parts are avoided.

#### **8.1 Maintenance and functional test**

In order to always guarantee function of the self sealing coupling and hence safety of operator, a maintenance and functional testing must be made in appropriate periods of time depending on operating conditions.

In order to minimize operating forces and to extend service life of the self sealing coupling we recommend to slightly grease plug surfaces (see item 10.0).

##### **8.1.1 Maintenance includes following items:**

- A visual inspection of self sealing coupling and self sealing adaptor regarding damage and contamination has to be made.
- Dirt at the functional area (sealing area, operating elements) which is easily accessible from outside should be removed by simply wiping-off.

If there are damaged, torn or corroded parts, coupling must be dismantled and returned to manufacturer for repair.

If worn or embrittled seals are found or if there is extreme dirt, the customer can decide whether he returns coupling unit to the manufacturer's factory or whether he repairs himself.

##### **8.1.2 Functional test includes following items:**

As described in the operating instruction, coupling is several times connected, pressurized and then disconnected.

##### In doing so, the following has to be observed:

- Connection and disconnection process must be absolutely smooth.
- Coupling must be absolutely leak-proof in connected and disconnected state.

If there are damaged, torn or corroded parts, coupling must be dismantled and returned to manufacturer for repair.

If worn or embrittled seals are found or if there is extreme dirt, the customer can decide whether he returns the coupling unit to the manufacturer's factory or whether he repairs himself.

### **Please note !**

**If the coupling is repaired by the customer themselves, a pressure and/or leak test must be performed in any case.**

**The sequence and extent of this test is described in section "Test".**

### **Please note !**

**The manufacturer's warranty shall not apply to the end product if it is repaired by other than the manufacturer, Walther-Präzision.**

## Maintenance and Functional instruction

### 9 Test

(Extract from the test instructions QM-PA 2.0 of the Walther-Präzision QM system)

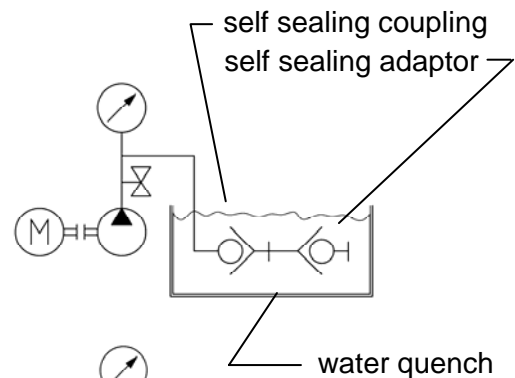
Description:

The coupling is tested by means of an immersion test according to the following values.

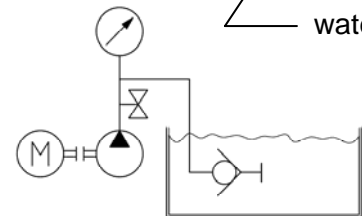
Series low pressure	
07-003	2 bar absolut

- Test setup and test procedure

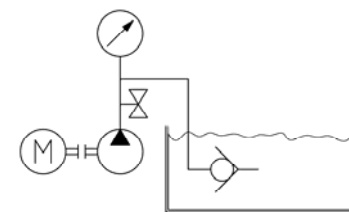
Test 1: self sealing coupling and self sealing adaptor connected



Test 2: self sealing adaptor disconnected



Test 3: self sealing adaptor disconnected



- Notes and remarks:

The dwell time per test is 10 seconds.

There must not be any bubbles during the 10 seconds dwell time.

After testing the coupling must be dried with hot air as soon as possible

(recommended: 45 – 55 °C, approx. 30 min with air stream, up to 2 hours with stagnant air, depending on the device).

- Documentation:

Please document the test pressure, test medium and name/date of each test.

### 10 Lubrication !

In order to minimize operating forces and to extend service life of the coupling we recommend to slightly grease plug surfaces.

Lubrication is to be carried out with greases which **do not** tend to become resin.



#### Caution !

The selection of the grease is to be suited to the sealing quality and the medium (e.g.: oxygen) in view of the compatibility.

## **11 Storage**

The couplings must be stored in such a way that no damages can occur at the couplings.

The storage conditions of the couplings must comply with the guidelines for the seals as these can change in properties due to improper storage.

The following items must be kept:

- The couplings must be stored dry.
- To safely conserve the seals and that means also the couplings they should not be stored under the effect of daylight.
- For protection against oxygen the seals and also the couplings shall be stored into the packing.

## **12 Shut-down**

At the end of the service life the coupling or its components have to be disposed non-polluting and according to the legal regulations.

For that the local public or private disposal societies should be taken.

### 13 Order number code

1.    2.    3.    4.    5.    6.    7.    8.    9.  
 X - XX - XXX - X - XXXXXX - XX - X - XXX - XX  
 X - XX - XXX - X - XXXXXX - XXXXX - XXX - XX

1. Subject group
2. Series  
Series description consists of either two letters or two digits.
3. Nominal size / nominal width  
It is rounded up or rounded down to full units.  
The indication can be numerical or alphanumeric.
4. Type of product and design
5. Type of connection
6. Material:  
xx-x and xxxx possible
7. Material (seal version):  
xx-x and xxxx possible
8. Y- or Z-design
9. Optional features

## 14 Index

<b>A</b>	
According to intended purpose.....	6
Acquired knowledge.....	4
Adaptorl.....	6
air.....	7
Alterations .....	4
Assembly .....	6
<b>C</b>	
Commissioning.....	4, 6
connected.....	7
connection .....	7, 15
Connection process .....	9
coupling.....	4
Coupling.....	6, 7, 14
Couplings .....	6
Customer care.....	2
Cv-value .....	7
<b>D</b>	
Damage.....	4, 6
Damage compensation .....	4
daylight.....	13
Disconnection process.....	9
Disposal societies .....	14
Disregard .....	7
dry.....	13
dust cap.....	7
dust plug.....	7
<b>E</b>	
Equipment .....	4
Experience.....	4
<b>F</b>	
Faults .....	4
Fluid .....	6
Function.....	6
Function test .....	6
Functionality.....	2
<b>G</b>	
General .....	4
guarantee .....	10
<b>H</b>	
Hazard notes.....	6
Hazardous emission.....	6
hydraulic oil .....	7
<b>I</b>	
Implementation .....	6
Improvement .....	4
Index.....	16
Inspection .....	2
Installation Instruction .....	8
Intended use .....	7
<b>L</b>	
Legible condition .....	6
Liability.....	4
List of Contents.....	3
Lubrication.....	12
<b>M</b>	
Maintenance .....	2, 4, 6
Maintenance and functional test.....	10
Maintenance Instruction.....	10
Manual .....	4
Media temperatures.....	6
<b>O</b>	
one-hand operation.....	7, 9
Operating instruction.....	1
Operating Instruction .....	9
operating pressure maximum .....	7
Operation.....	2
Operational safety ordinances .....	6
operator .....	6, 10
Operators.....	2
Original .....	4
<b>P</b>	
packing .....	13
particular .....	6
Perfect, functioning condition.....	6
Performance capability.....	2
Pressurized .....	6
Product description .....	7
Property.....	4
Protective gloves .....	6
<b>Q</b>	
quality.....	12
<b>R</b>	
Regulations.....	4

---

Reliability .....	2	<i>T</i>	
remarks .....	11	Technical data .....	7
Repair work .....	6	Technical equipment .....	2
responsible.....	7	Technical values.....	7
<i>S</i>		Test.....	11
Safety.....	2	Thermally .....	6
Safety devices.....	6	Tools .....	2, 6
Safety instructions .....	6	Translation errors .....	4
Scope of delivery .....	4	Types of use .....	7
Screw connections.....	6	<i>U</i>	
seals .....	5, 13	Use .....	2
self sealing adaptor.....	7, 10	<i>V</i>	
self sealing coupling.....	7, 9, 10	Version .....	4
service.....	10, 12	<i>W</i>	
Service.....	2	Warranty.....	5
Shut-down .....	14	water.....	7
Special designs .....	4	Work safety regulations .....	6
Specialists.....	2	Working method .....	6
springs .....	5	working pressure .....	7
Status of development .....	4	Wrong product selection .....	6
Storage.....	13		
subspecies.....	7		
Systems.....	2, 6		